

CLEANING/FILTER CHANGE

• The filters should be changed once a year or at alarm for filter change. When alarm for Filter Change, this should be done as soon as possible; as there otherwise is a risk that the adjusted flow is not obtained.

• Always turn off the electrical supply and ensure that it cannot be turned on.

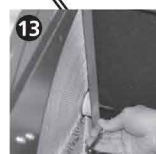
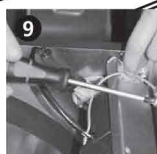
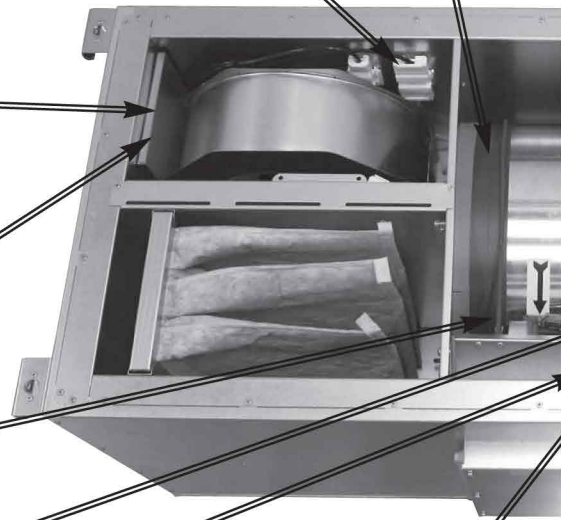
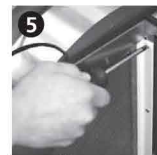
• Open the lid by removing the four screws **15** in every corner.

• The filters are taken out by pulling them straight out from their fastening strips **4**.

When changing a filter it is also appropriate to check if the fans are dirty.

• The fans are taken out, after the quick connectors have been disconnected **1**, removing the screw **2** and pulling it straight out from the unit **3**. Dismount the motor plate from the fan house **12** (the outer screws) and lift out the motor with the fan wheel. If necessary the fan wheel and fan housing are wiped clean with a damp cloth. The interior of the unit housing can be wiped when necessary.

• If necessary the rotor **6** can also be dismantled (see Dismounting).

BELT/TIGHTENING MATERIAL CHANGE
EQUIPMENT

- Screwdriver TX20 or screwdriver 1x5 (0,8x4)
- Screwdriver PH 2
- 2 Allen keys 6 mm (preferably with round head)
- Service kit 6000102 for HERU®100 S EC,
- Service kit 6000188 for HERU®130 S EC
- or 6000189 for HERU®180 S EC

DISMOUNTING

1. Loosen electrical socket **1** and screw **2** and carefully pull out fans **3**.
2. Pull out the filters **4**.
3. Dismount sealing joints **5** both sides of the rotor **5**, 2 long and 2 short pieces with a PH2 screwdriver.
4. Remove the tape that keeps the rotor tightening material **6**, 2 pieces in place and move them in towards the centre of the rotor.
5. Lift off belt **7** from the rotor motor **8**, disconnect the electrical socket **8** and loosen the ground cable **9**.
6. Pull out the rotor motor from the grippers **10** and then dismount them **11**.
7. For HERU®130/180 S EC loosen electrical socket with bracket **12** with screwdriver TX20 and hang it over the edge towards the fan.
8. Dismount the Allen screws **13**, 2 pieces that hold the rotor. Lift out the rotor **14**.

Change the rotor tightenings and the rotor belt.

MOUNTING

1. Lift the rotor into the box using the new belt.
2. Mount with Allen screws, distancers and tightenings.
3. Push out the rotor tightening material over the edge onto the middle wall. Mount a new tape.
4. Push in the rotor motor in the grippers and lift the rotor belt onto the belt pulley.
5. Mount electrical socket with bracket.
6. Mount the brush seals.
7. Mount filters and fans (carefully so there's no damage to the seal trim).
8. Mount the electrical sockets. Check the function of the fans and rotor before closing the lid.

 **BEAM**
Vacuum & Ventilation

Opus Business Park, 35 Aughrim Rd,
Magherafelt, BT45 6BB, NI
T: +44 (0)28 7963 2424
W: www.beamcentralsystems.com
E: info@beamcentralsystems.com